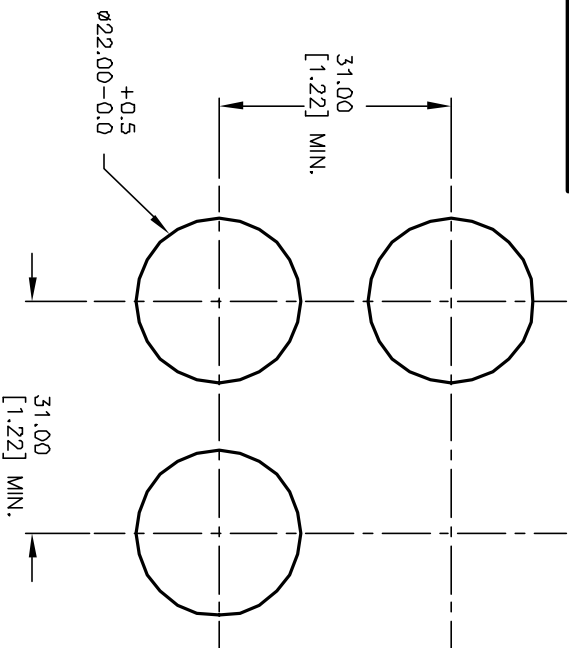


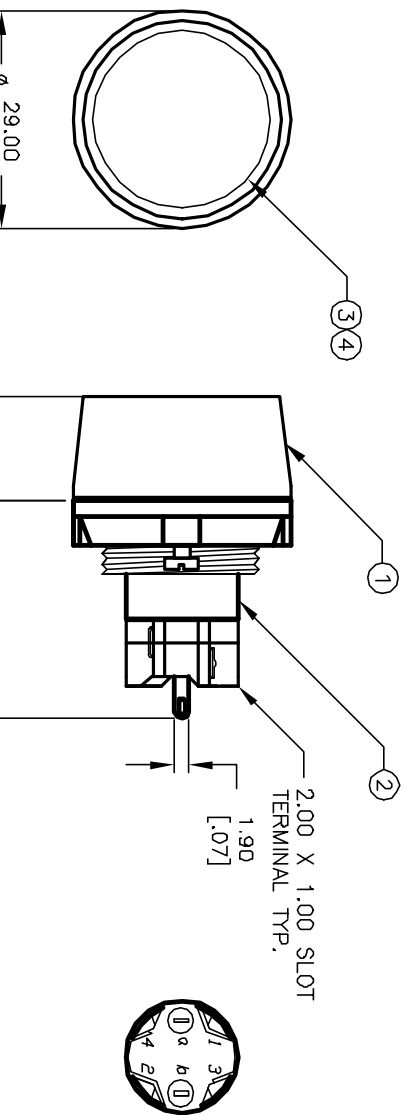
PARTS LIST		Part No.
Item	Qty.	Dwg. No.
1	1	F051701
2	1	F060614
3	1	F060295
4	1	F050420



RECOMMENDED PANEL MOUNTING

1.0 ± 0.2
3.0 ± 0.4
a-L-b (+)

SPST
CONTACT CONFIGURATION



NOTES:

1. ALL DIMENSIONS IN MM
2. GENERAL TOLERANCE: X.X=±0.4
X.XX=±0.25
3. RATINGS: 5A@250V AC,
BA@125V AC
4. CONTACT MATERIAL: COPPER ALLOY W/Gold Plating
5. TRAVEL: 3.0mm (Total) 2.0mm (Latch)
6. MECHANICAL LIFE: >100,000 Cycles
7. ELECTRICAL LIFE: >50,000 Cycles
8. INSULATION RESISTANCE: >1000 MΩ@50%RH
9. OPERATING TEMP: -20°C to 55°C
10. LAMP VOLTAGE: 12VDC (L.E.D.)

REV.	ECN No.	DESCRIPTION	DATE	CHK'D
A	12290	RELEASED FOR PRODUCTION	7/3/02	CJB

TITLE	SCALE	DATE	DR	DWG	REV
LAS EE U1 1J RED	1:1	7/3/02	CJB	XF0485P	A



THE INFORMATION CONTAINED IN THIS DOCUMENT IS PROPRIETARY TO E-SWITCH AND IS NOT TO BE COPIED OR TRANSMITTED